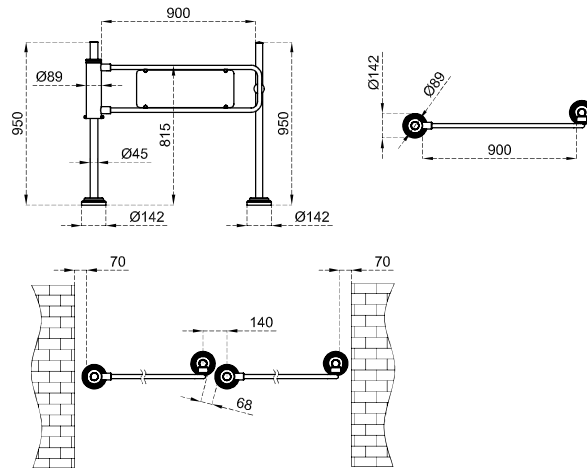




## Dimensions (mm)



## Technical Features

<b>Place of Use</b>	Indoors, outdoors (with wing adaptation)
<b>Operating Intensity</b>	%100, 7/24 use.
<b>Body Features</b>	<b>Material</b> : Ø89x3 mm 304 grade stainless steel. <b>Finishing</b> : Satine brushed (opt. orbital brushed matt, electrostatic powder coating on stainless steel).
<b>Wing</b>	<b>Material</b> : Ø27x2 mm 304 grade stainless steel pipe with acrylic infill. <b>Finishing</b> : Satine brushed (opt. orbital brushed matt, electrostatic powder coating on stainless steel).
<b>Power</b>	<b>Operating Voltage</b> : No power for standard model (opt. 24V DC (250mA) for 35 kg electromagnetic lock).
<b>Operating Mode</b>	System operates uni-directionally (clockwise or counter clockwise). Wing, opening 90° by pushing comes back to its original position thanks to the spring system ensuring the closing of the wing.
<b>Operating System</b>	Mechanical manual operation.
<b>Emergency Mode</b>	Electromagnetic lock (if any) is deactivated during the emergency contact, and the wing is pushed manually to create a free passageway.
<b>Power-off Situation</b>	Electromagnetic lock (if any) becomes disabled, and the wing is pushed manually to create a free passageway.
<b>Weight</b>	~15 kg
<b>Optional Features and Accessories</b>	Electromagnetic lock, wireless remote control (receiver-transmitter, with electromagnetic lock option), manual control (with electromagnetic lock option), key lock pole, bottom plate, electrostatic powder coating on stainless steel.